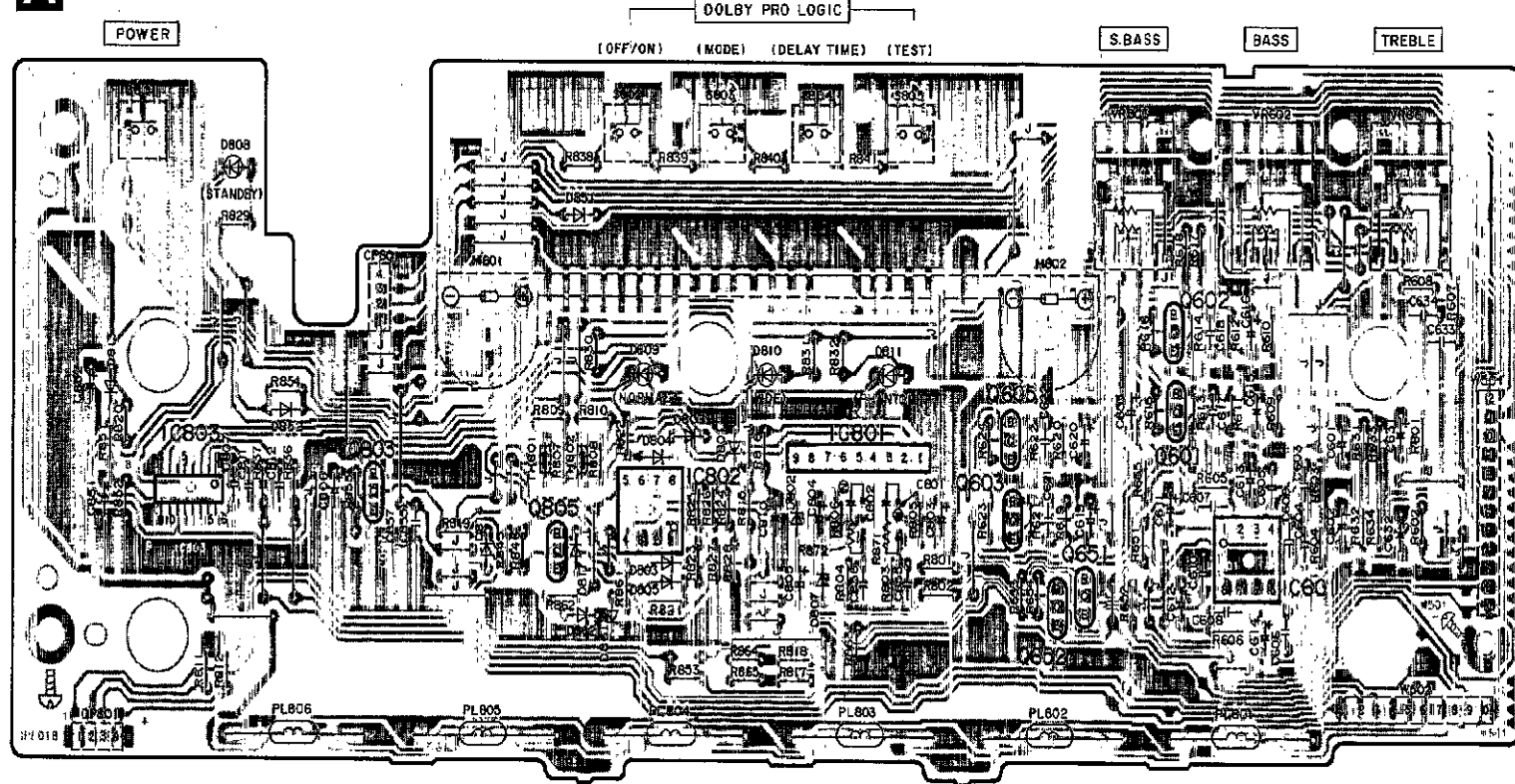
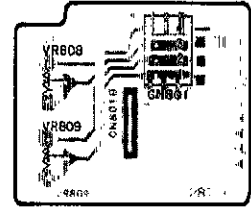


PRINTED CIRCUIT BOARDS

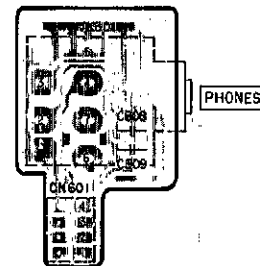
A OPERATION P.C.B. (REP19246-S)



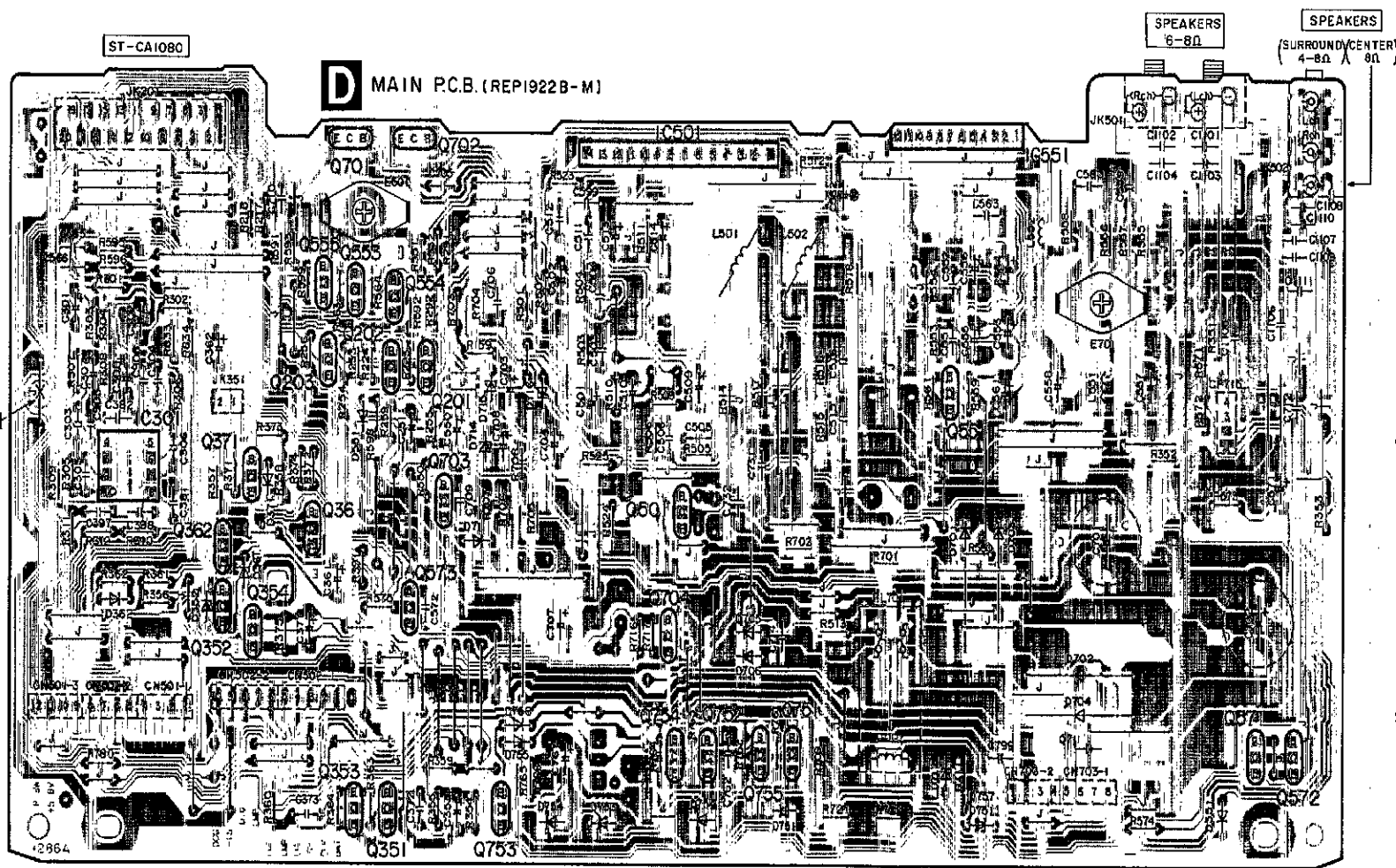
B VOLUME (ADJ.) P.C.B. (REP19243-S)



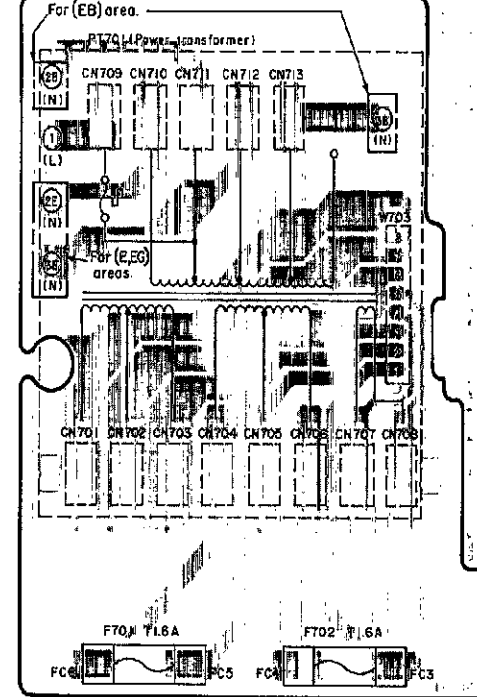
C HEADPHONES JACK P.C.B. (REP19248-S)



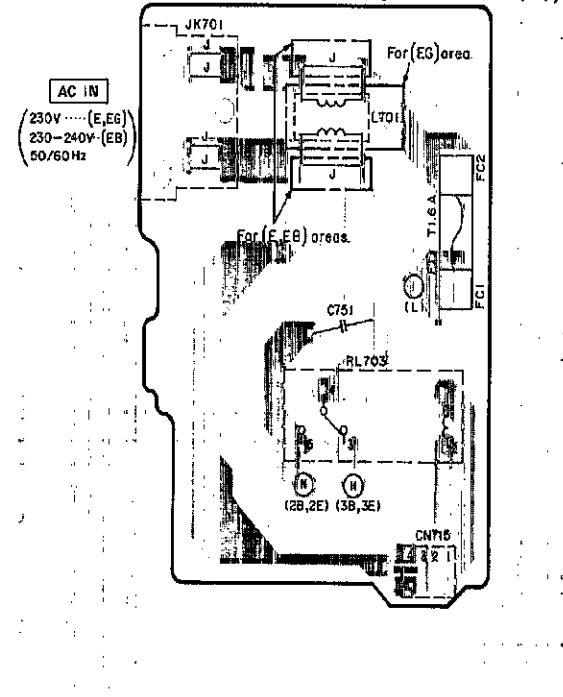
D MAIN P.C.B. (REP19228-M1)



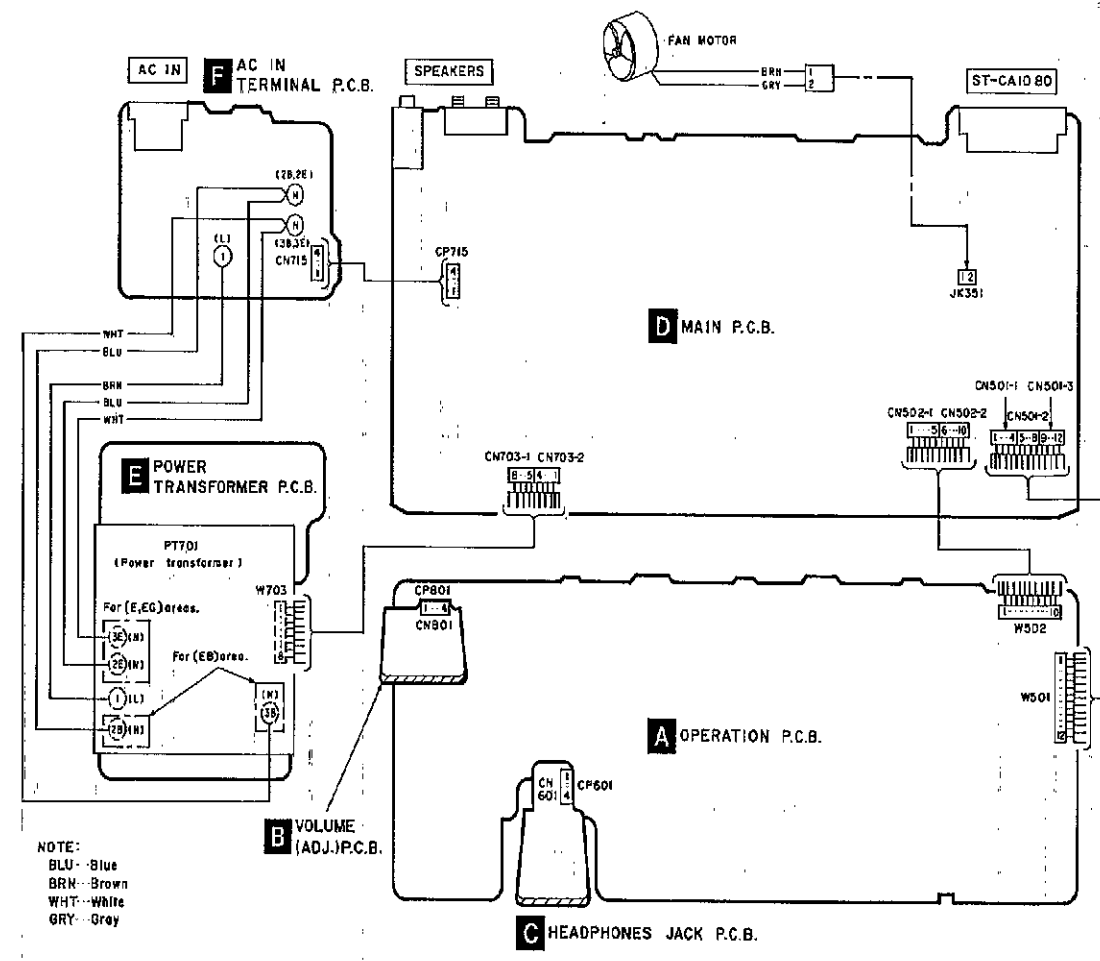
E POWER TRANSFORMER P.C.B. (REP1925A-P (E), REP1925B-P (EG), REP1925C-P (EB))



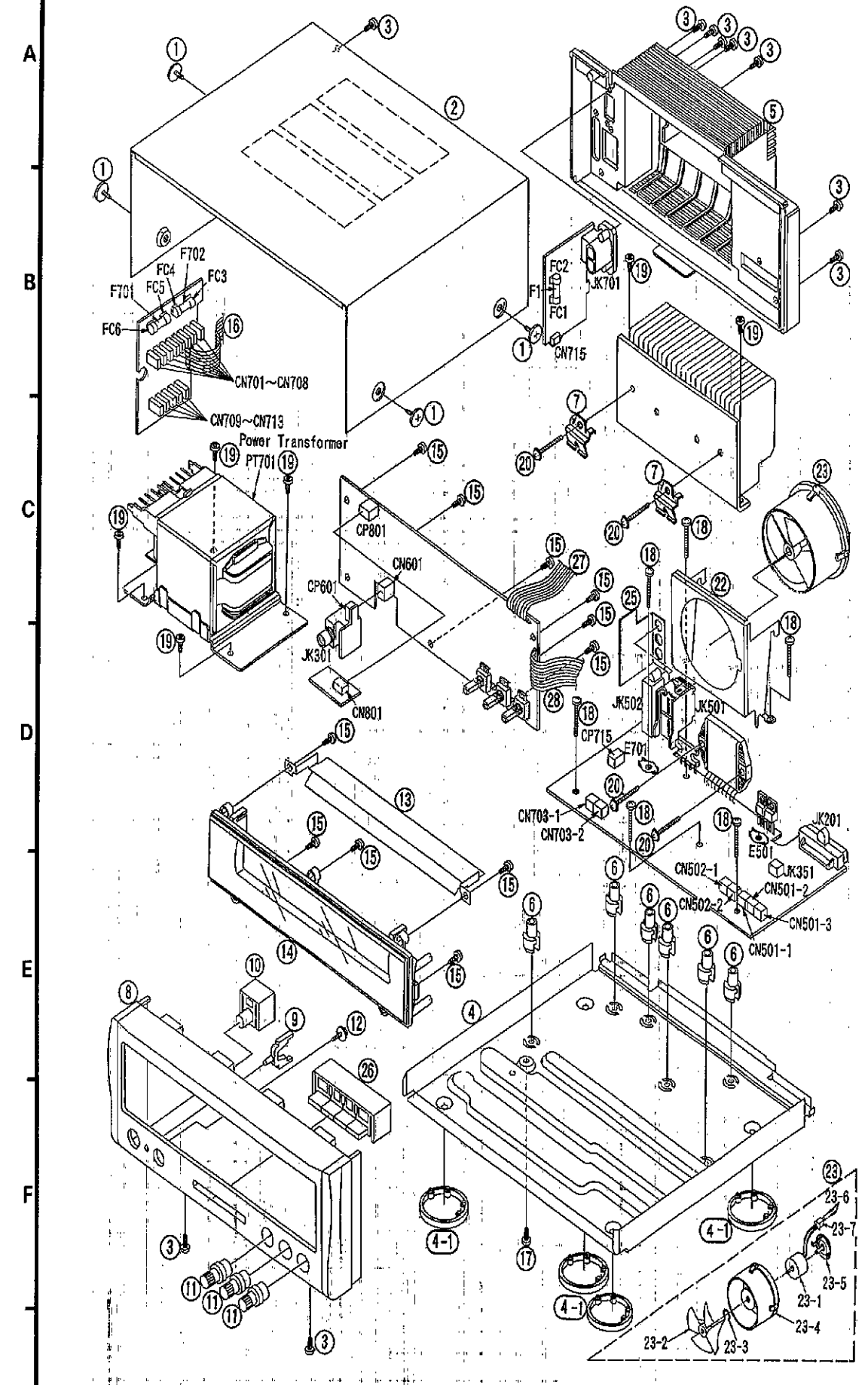
F AC IN TERMINAL P.C.B. (REP1925A-P (E), REP1925B-P (EG), REP1925C-P (EB))



WIRING CONNECTION DIAGRAM



CABINET PARTS LOCATION



Long scan

Long scan

Long scan

Long scan

Long scan

Long scan

Long scan

Long scan

REPLACEMENT PARTS LIST

Notes: *Important safety notice:

 Components identified by Δ mark have special characteristics important for safety.

Furthermore, special parts which have purposes of fire-retardant (resistors), high-quality sound (capacitors), low-noise (resistors), etc. are used.

When replacing any of components, be sure to use only manufacturer's specified parts shown in the parts list.

*The parenthesized indications in the Remarks columns specify the areas. (Refer to the cover page for area.)

Parts without these indications can be used for all areas.

Ref. No.	Part No.	Part Name & Description	Remarks	Ref. No.	Part No.	Part Name & Description	Remarks
		CABINET PARTS LIST				INTEGRATED CIRCUIT(S)	
1	RHD30007	SCREW		IC301	M5218AP	HEADPHONE AMP	
2	RKM0202A-2K	CABINET		IC501	RSN3403	POWER AMP	Δ
3	XTBS3+8JFZ1	SCREW		IC551	LA4282	POWER AMP	
4	RFKJE1060EK	BOTTOM BOARD ASS'Y		IC601	M5218AP	TONE AMP	
4-1	RKA0011-3	FOOT		IC801	BA6138	METER DRIVE AMP	
5	RFKHE1080EK	REAR GRILL ASS'Y	(E)	IC802	M5218AP	BUFFER AMP	
5	RFKHE1080EBK	REAR GRILL ASS'Y	(EB)	IC803	XLU2040F-T1	LED DRIVE	
5	RFKHE1080EGK	REAR GRILL ASS'Y	(EG)			TRANSISTOR(S)	
6	RKQ0089	P. C. B. SPACER					
7	RMC0158	TRANSISTOR HOLDER		Q201, 202	2SD1450RTA	TRANSISTOR	
8	RFKGECA1080E	FRONT PANEL ASS'Y		Q203	UN4115	TRANSISTOR	
9	RGL0230-Q	READING LIGHT PANEL		Q351	2SC3311AIRTA	TRANSISTOR	
10	RGU1062-S	BUTTON, POWER		Q352	KSD471ACYGTA	TRANSISTOR	Δ
11	RGW0205-S	S. BASS, BASS, TREBLE KNOB		Q353, 354	2SC3311AIRTA	TRANSISTOR	
12	RHD26016	SCREW		Q361	KSD471ACYGTA	TRANSISTOR	Δ
13	RMV0072	CONDUCTION PLATE		Q362	2SC3327-A	TRANSISTOR	Δ
14	RSE0005A	METER UNIT		Q371	2SC3311AIRTA	TRANSISTOR	
15	XTBS26+8J	SCREW		Q501	2SA992EFTA	TRANSISTOR	
16	RWJ1808150XX	FLAT CABLE (W703) (8P)		Q551	2SC3311AIRTA	TRANSISTOR	
17	XTB3+10JFZ	SCREW		Q553, 554	2SD1450RTA	TRANSISTOR	
18	XTB3+20JFZ	SCREW		Q555	UN4115	TRANSISTOR	
19	XTB3+8JFZ	SCREW		Q571, 572	2SC3311AIRTA	TRANSISTOR	
20	XIW3+15T	SCREW		Q573	2SA1309AIQTA	TRANSISTOR	
22	RMN0282	FAN ANGLE		Q601-603	2SC3312RSTA	TRANSISTOR	
23	SYE1128-2	FAN ASS'Y		Q605	2SC3312RSTA	TRANSISTOR	
23-1	MDN-4RB4MRC	MOTOR		Q651, 652	2SD2144S	TRANSISTOR	
23-2	SHE232	FAN		Q701	2SD2374PQAU	TRANSISTOR	Δ
23-3	SJS271	SPRING		Q702	2SB1548PQAU	TRANSISTOR	Δ
23-4	SHE233	FAN CASE		Q703	2SC3940AQSTA	TRANSISTOR	Δ
23-5	SHE234	CAP		Q704	2SC3112TA	TRANSISTOR	
23-6	SJT783	TERMINAL		Q751, 752	2SC3940ASTA	TRANSISTOR	Δ
23-7	SJS5215	SOCKET (2P)		Q753	UN4111	TRANSISTOR	
25	RMV0078	CONDUCTION PLATE	Δ	Q754, 755	2SC3940ASTA	TRANSISTOR	Δ
26	RGU1063-K	BUTTON, PRO LOGIC		Q803	UN4115	TRANSISTOR	
27	RWJ1810220QC	FLAT CABLE (W502) (10P)		Q805	2SC3312RSTA	TRANSISTOR	
28	RWJ1812210QC	FLAT CABLE (W501) (12P)				DIODE(S)	
				D351	MA165	DIODE	
				D352	MA4068M	DIODE	Δ
				D361	MA4091-M	DIODE	Δ
				D362	MA165	DIODE	
				D371	MA165	DIODE	

Ref. No.	Part No.	Part Name & Description	Remarks	Ref. No.	Part No.	Part Name & Description	Remarks
D551	MA165	DIODE					
D701-704	1N5402BF	DIODE	△	S801	EVQ21405R	POWER	
D705, 706	RL1N4003N02	DIODE	△	S802	EVQ21405R	ON/OFF	
D711	MA165	DIODE		S803	EVQ21405R	MODE	
D712	MA4240H	DIODE		S804	EVQ21405R	DELAY TIME	
D714	MA4062-H	DIODE	△	S805	EVQ21405R	TEST	
D715, 716	MA4150M	DIODE	△			RELAY (S)	
D751-754	RL1N4003N02	DIODE	△				
D755	MA4082LTA	DIODE	△				
D756	MA165	DIODE		RL701	RSY0013M-0	RELAY	△
D757	MA4240H	DIODE		RL703	RSY0011-0		△
D801	MA165	DIODE				CONNECTOR(S) AND SOCKET(S)	
D802	MA4100MTA	DIODE	△				
D803-806	MA165	DIODE		CN501-1-3	RJS1A6604	CONNECTOR(4P)	
D807	MA4100MTA	DIODE	△	CN502-1, 2	RJS1A6605	CONNECTOR(5P)	
D808-811	SLR-305WC	L. E. D.		CN601	RJU057W004	SOCKET(4P)	
D813, 814	MA165	DIODE		CN701-713	RJS1A1101T1	SOCKET(1P)	
D817	MA165	DIODE		CN703-1, 2	RJS1A6604	CONNECTOR(4P)	
D851, 852	MA165	DIODE		CN715	RJU057W004	SOCKET(4P)	
D861, 862	MA165	DIODE		CN801	RJU057W004	SOCKET(4P)	
		VARIABLE RESISTOR(S)		CP601	RJT057W004-1	CONNECTOR(4P)	
				CP715	RJT057W004-1	CONNECTOR(4P)	
VR601	EVJYV1F03G24	TREBLE		CP801	RJT057W004-1	CONNECTOR(4P)	
VR602	EVJYV1F03G24	BASS				JACK(S)	
VR603	EVJY91F03C24	S. BASS					
VR808, 809	EVNDXAA00B23	OUTPUT POWER METER					
		THEMISTOR(S)		JK201	RJT065K20	CONNECTOR(20P)	
				JK301	RJ67TA02	HEADPHONES JACK	
TH801, 802	ERTD2ZHL104T	THEMISTOR		JK351	SJT3213	CONNECTOR(2P)	
				JK501	RJR0054	SPEAKER TERMINAL (MAIN)	
		COIL (S)		JK502	RJH2301MS	SPEAKER TERMINAL (SURROUND)	
				JK701	SJS9236	AC INLET	△
L501, 502	SLQV07G-40	COIL				EARTH TERMINAL (S)	
L551, 552	ELEY1ROKA	COIL					
L701	RLQ2271M	COIL	(EG) △	E501	SNE1004-2	GND PLATE	
		TRANSFORMER (S)		E701	SNE1004-2	GND PLATE	
						FUSE HOLDER(S)	
PT701	RTP1N5B019-W	POWER TRANSFORMER	△				
		LAMP (S)		FC1-6	EYF52BC	FUSE HOLDER	
PL801-806	XAMR131	LAMP					
		FUSE (S)					
F1	XBA2C16TBO	FUSE, 250V T1. 6A	△				
F701, 702	XBA2C16TBO	FUSE, 250V T1. 6A	△				
		SWITCH(ES)					

RESISTORS AND CAPACITORS

Notes : * Capacity values are in microfarads (uF) unless specified otherwise, P=Pico-farads (pF) F=Farads (F)
* Resistance values are in ohms, unless specified otherwise, 1K=1,000 (OHM), 1M=1,000k (OHM)

Ref. No.	Part No.	Values & Remarks	Ref. No.	Part No.	Values & Remarks	Ref. No.	Part No.	Values & Remarks
		RESISTORS	R555, 556	ERDS2TJ102	1/4W 1K	R807, 808	ERDS2TJ222	1/4W 2.2K
			R557, 558	ERDS1FVJ4R7T	1/2W 4.7 Δ	R809, 810	ERDS2TJ103	1/4W 10K
			R559	ERDS2TJ271	1/4W 270	R811, 812	ERDS2TJ821	1/4W 820
R159	ERDS2TJ100	1/4W 10	R560	ERDS2TJ393	1/4W 39K	R815	ERDS2TJ103	1/4W 10K
R217, 218	ERDS2TJ102	1/4W 1K	R561	ERDS2TJ223	1/4W 22K	R816	ERDS2TJ104	1/4W 100K
R223, 224	ERDS2TJ472	1/4W 4.7K	R563, 564	ERDS2EJ121	1/4W 120	R817, 818	ERDS2TJ221	1/4W 220
R253, 254	ERDS2EJ121	1/4W 120	R571	ERDS2TJ823T	1/4W 82K	R819	ERDS2TJ104	1/4W 100K
R255	ERDS2TJ154	1/4W 150K	R572	ERDS2TJ124T	1/4W 120K	R820	ERDS2TJ102	1/4W 1K
R256	ERDS2TJ105T	1/4W 1M	R573	ERDS2TJ563	1/4W 56K	R821, 822	ERDS2TJ123	1/4W 12K
R259	ERDS2TJ561	1/4W 560	R574	ERDS2TJ564	1/4W 560K	R823, 824	ERDS2TJ154	1/4W 150K
R291, 292	ERDS2TJ563	1/4W 56K	R575	ERDS2TJ223	1/4W 22K	R825, 826	ERDS2TJ223	1/4W 22K
R301, 302	ERDS2TJ223	1/4W 22K	R591-593	ERDS2TJ104	1/4W 100K	R827, 828	ERDS2TJ102	1/4W 1K
R303, 304	ERDS2TJ333	1/4W 33K	R595, 596	ERDS2TJ102	1/4W 1K	R829	ERDS2TJ471	1/4W 470
R305, 306	ERDS2TJ223	1/4W 22K	R598	ERDS2TJ561	1/4W 560	R830-832	ERDS2TJ331	1/4W 330
R307, 308	ERDS2TJ102	1/4W 1K	R599	ERDS2TJ105T	1/4W 1M	R833, 834	ERDS2TJ471	1/4W 470
R309-312	ERDS2EJ121	1/4W 120	R601, 602	ERDS2TJ682T	1/4W 6.8K	R836, 837	ERDS2TJ222	1/4W 2.2K
R351	ERDS2TJ183T	1/4W 18K	R603, 604	ERDS2TJ333	1/4W 33K	R838	ERDS2TJ821	1/4W 820
R352	ERDS2TJ473	1/4W 47K	R605, 606	ERDS2TJ123	1/4W 12K	R839	ERDS2TJ102	1/4W 1K
R353	ERDS2TJ183T	1/4W 18K	R607, 608	ERDS2TJ472	1/4W 4.7K	R840	ERDS2TJ122	1/4W 1.2K
R354	ERDS2TJ104	1/4W 100K	R609, 610	ERDS2TJ332	1/4W 3.3K	R841	ERDS2TJ152	1/4W 1.5K
R355	ERDS2TJ103	1/4W 10K	R611, 612	ERDS2TJ122	1/4W 1.2K	R845, 846	ERDS2TJ103	1/4W 10K
R356	ERDS2TJ332	1/4W 3.3K	R613, 614	ERDS2TJ683	1/4W 68K	R851	ERDS2TJ221	1/4W 220
R357	ERDS1FVJ100T	1/2W 10 Δ	R615, 616	ERDS2TJ123	1/4W 12K	R852	ERDS2TJ103	1/4W 10K
R358	ERDS1FVJ220T	1/2W 22 Δ	R617, 618	ERDS2TJ562	1/4W 5.6K	R853-855	ERDS2TJ222	1/4W 2.2K
R359	ERDS2TJ273	1/4W 27K	R619, 620	ERDS2TJ681	1/4W 680	R861, 862	ERDS2EJ121	1/4W 120
R360	ERDS2TJ222	1/4W 2.2K	R621, 622	ERDS2TJ563	1/4W 56K	R863	ERDS2TJ222	1/4W 2.2K
R361	ERDS2TJ474	1/4W 470K	R623, 624	ERDS2TJ123	1/4W 12K	R864, 865	ERDS2TJ221	1/4W 220
R362	ERDS2TJ102	1/4W 1K	R631-634	ERDS2TJ224T	1/4W 220K	R871, 872	ERDS2TJ392T	1/4W 3.9K
R363, 364	ERDS2TJ472	1/4W 4.7K	R651, 652	ERDS2TJ561	1/4W 560			
R371, 372	ERDS2TJ273	1/4W 27K	R653, 654	ERDS2EJ121	1/4W 120			CAPACITORS
R373	ERDS2TJ222	1/4W 2.2K	R655	ERDS2TJ561	1/4W 560	C251	ECEAJKA221B	6.3V 220U
R374	ERDS2TJ273	1/4W 27K	R701	ERQ16NKW2R2E	1/6W 2.2 Δ	C301, 302	ECEA1HKA3R3B	50V 3.3U
R375	ERDS2TJ822	1/4W 8.2K	R702	ERD2FCVJ4R7T	1/4W 4.7 Δ	C303, 304	ECBT1H150J5	50V 15P
R391	ERDS2TJ393	1/4W 39K	R703, 704	ERDS2TJ562	1/4W 5.6K	C305, 306	ECBT1H330J5	50V 33P
R501, 502	ERDS2TJ102	1/4W 1K	R705, 706	ERG1SJ471E	1W 470 Δ	C307, 308	ECEA1CKA220B	16V 22U
R503-506	ERDS2TJ563	1/4W 56K	R707	ERDS1FVJ820T	1/2W 82 Δ	C353	ECEA1HKA2R2B	50V 2.2U
R509, 510	ERDS2TJ182	1/4W 1.8K	R708	ERDS2TJ472	1/4W 4.7K	C361	ECEA1CKA101B	16V 100U
R511	ERDS2TJ334	1/4W 330K	R709	ERG1SJ391E	1W 390 Δ	C362	ECEA1CKA100B	16V 10U
R512	ERDS2TJ154	1/4W 150K	R711	ERG1SJ331E	1W 330 Δ	C371	RCEOJKA221BV	6.3V 220U
R513	ERDS2TJ684	1/4W 680K	R716	ERDS2TJ393	1/4W 39K	C372	ECBT1E223ZF	25V 0.022U
R514	ERD25FJ470	1/4W 47 Δ	R717	ERDS2TJ473	1/4W 47K	C373	ECBT1H1042ZF5	50V 0.1U
R515, 516	ERDS1FVJ100T	1/2W 10 Δ	R721, 722	ERG1SJ271E	1W 270	C381, 382	ECBT1E103ZF	25V 0.01U
R517, 518	ERD25FVJ100T	1/4W 10 Δ	R761-764	ERDS2TJ1R0	1/4W 1.0	C397, 398	ECBT1E103ZF	25V 0.01U
R523	ERDS2TJ223	1/4W 22K	R765	ERDS2TJ102	1/4W 1K	C501, 502	ECA1HAP3R3B	50V 3.3U
R524	ERDS2TJ103	1/4W 10K	R766	ERDS2TJ223	1/4W 22K	C503, 504	ECBT1H151KB5	50V 150P
R525	ERDS2TJ223	1/4W 22K	R780	ERDS2TJ822	1/4W 8.2K	C505, 506	ECBT1H150J5	50V 15P
R550	ERDS2TJ222	1/4W 2.2K	R801, 802	ERDS2TJ272T	1/4W 2.7K	C509, 510	ECA1HAP220B	50V 22U
R551, 552	ERDS2TJ183T	1/4W 18K	R803, 804	ERDS2TJ104	1/4W 100K	C511, 512	ECBT1H821KB5	50V 820P
R553, 554	ERDS2TJ332	1/4W 3.3K	R805, 806	ERDS2TJ155	1/4W 1.5M			

Ref. No.	Part No.	Values & Remarks	Ref. No.	Part No.	Values & Remarks	Ref. No.	Part No.	Values & Remarks
C513	ECA1HM470B	50V 47U	C611-614	ECEA1HKA3R3B	50V 3.3U	C762	ECBT1E103ZF	25V 0.01U
C514	ECA2AAP100B	100V 10U	C615, 616	ECEA1HKA010B	50V 1U	C799	ECBT1H104ZF5	50V 0.1U
C515, 516	ECBT1H104ZF5	50V 0.1U	C617, 618	ECQV1H124JM3	50V 0.12U	C801, 802	ECEA1EKN3R3B	25V 3.3U
C550	RCE0JKA221BV	6.3V 220U	C619, 620	ECEA1HKA010B	50V 1U	C803, 804	ECEA1HKA2R2B	50V 2.2U
C551, 552	ECBT1H102KB5	50V 1000P	C621, 622	ECQV1H334JM3	50V 0.33U	C805	ECEA1HKA4R7B	50V 4.7U
C553, 554	ECEA1HKA3R3B	50V 3.3U	C631, 632	ECEA1HKA3R3B	50V 3.3U	C806	ECEA0JKA221B	6.3V 220U
C555, 556	ECEA1HKA220B	50V 22U	C633, 634	ECQB1H272JF3	50V 2700P	C807	ECBT1H104ZF5	50V 0.1U
C557, 558	ECA1VM471B	35V 470U	C653	ECEA1CKA101B	16V 100U	C808, 809	ECBT1E223ZF	25V 0.022U
C559, 560	ECQV1H473JM3	50V 0.047U	C701, 702	ECES1H822VNG	50V 8200U Δ	C810	ECEA1HKA4R7B	50V 4.7U
C561	RCE1EM221BV	25V 220U	C703, 704	ECEA1CKA330B	16V 33U	C811	ECBT1H220J5	50V 22P
C562	ECEA1HKN010B	50V 1U	C705, 706	ECBT1H104ZF5	50V 0.1U	C812	ECBT1H151KB5	50V 150P
C563	ECQV1H104JM3	50V 0.1U	C707	ECA1HM471B	50V 470U Δ	C851, 852	ECEA1HKA3R3B	50V 3.3U
C565, 566	ECBT1H101KB5	50V 100P	C708	ECEA1CKA100B	16V 10U	C855, 856	ECBT1C682KR5	16V 6800P
C571	ECEA0JKA101B	6.3V 100U	C709, 710	ECBT1E103ZF	25V 0.01U	C857	ECBT1E103ZF	25V 0.01U
C572	ECBT1E223ZF	25V 0.022U	C711	ECQE1104KF3	100V 0.1U	C905, 906	ECBT1H101KB5	50V 100P
C599	ECBT1C103MS5	16V 0.01U	C712	ECBT1E223ZF	25V 0.022U	C1101, 1102	ECBT1E223ZF	25V 0.022U
C601, 602	ECEA1HKA3R3B	50V 3.3U	C714	ECKR1H103ZF5	50V 0.01U	C1103-1106	ECBT1H102KB5	50V 1000P
C603-606	ECBT1H101KB5	50V 100P	C731, 732	ECKR1H103ZF5	50V 0.01U	C1107, 1108	ECBT1E223ZF	25V 0.022U
C607, 608	ECBT1H151KB5	50V 150P	C751	ECKWNS103ZVS	400V 0.01U	C1109-1111	ECBT1H102KB5	50V 1000P
C609, 610	ECBT1E103ZF	25V 0.01U	C761	ECA1EM102B	25V 1000U			

REPLACEMENT PARTS LIST

Notes: *Important safety notice:

Components identified by Δ mark have special characteristics important for safety.

Furthermore, special parts which have purposes of fire-retardant (resistors), high-quality sound (capacitors), low-noise (resistors), etc. are used.

When replacing any of components, be sure to use only manufacturer's specified parts shown in the parts list.

*The parenthesized indications in the Remarks columns specify the areas. (Refer to the cover page for area.)

Parts without these indications can be used for all areas.

*Remote Control Ass'y: Supply period for three years from termination of production.

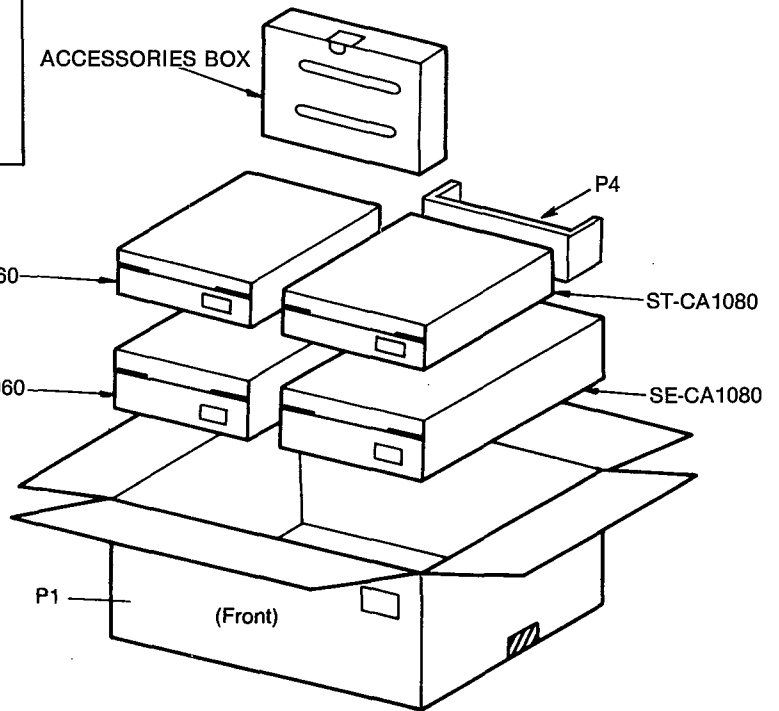
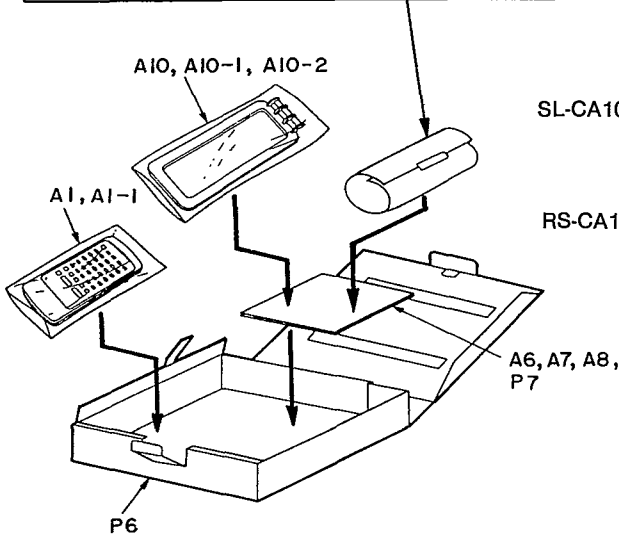
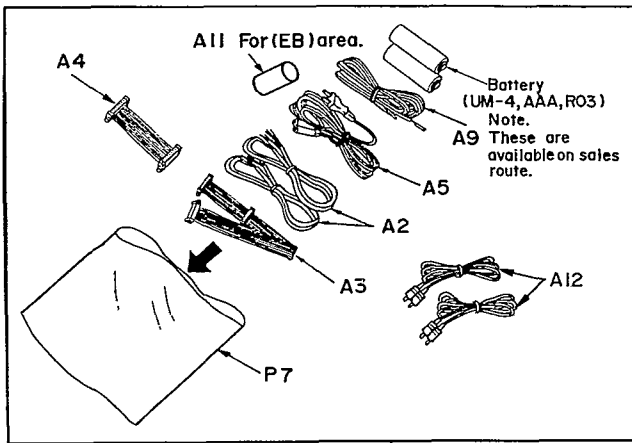
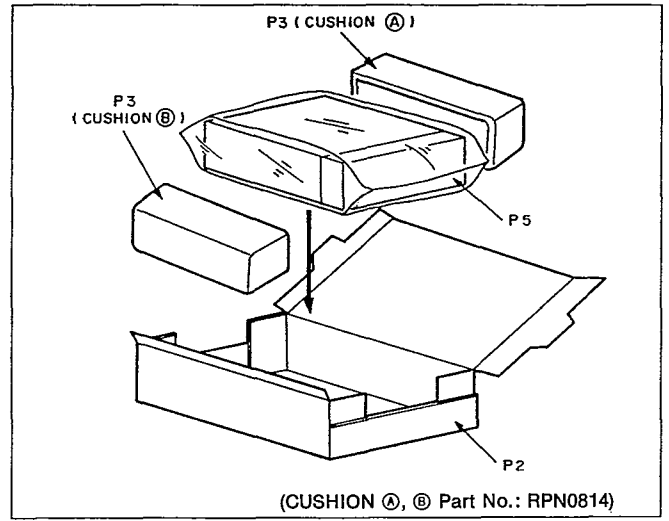
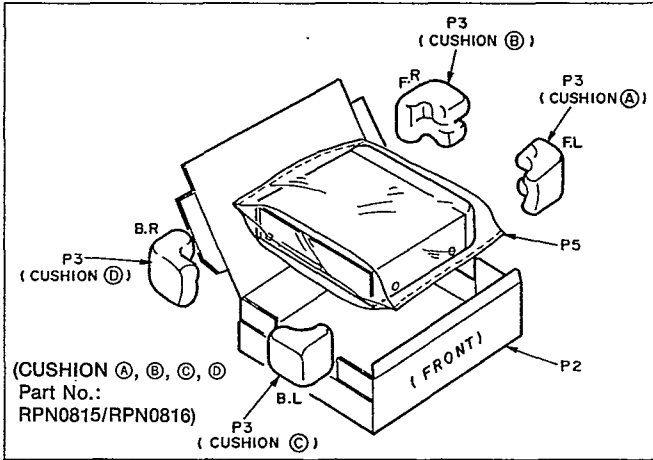
*The "(SF)" mark denotes the standard part.

Ref. No.	Part No.	Part Name & Description	Remarks	Ref. No.	Part No.	Part Name & Description	Remarks
		PACKING MATERIALS		A1	RAK-CH729WH	REMOTE CONTROL TRANSMITTER	
				A1-1	RKK0020-K	BATTERY COVER	
				A2	REE0393	SPEAKER CORD	
P1	RPG2130-1	PACKING CASE (SYSTEM)	(E, EG)	A3	REX0511	FLAT CABLE (LONG) (15P)	
P1	RPG2144	PACKING CASE (SYSTEM)	(EB)	A4	REX0608	FLAT CABLE (SHORT) (20P)	
P2	RPG2230	PACKING CASE (AMPLIFIER)		A5	RJA0019-2A	AC POWER SUPPLY CORD	(E, EG) Δ (SF)
P2	RPG2231	PACKING CASE (DECK)		A5	VJA0733	AC POWER SUPPLY CORD	(EB) Δ (SF)
P2	RPG2232	PACKING CASE (TUNER/CD)		A6	RFKSECA1060E	INSTRUCTION MANUAL ASS'Y	(E)
P3	RPNO814	CUSHION (AMPLIFIER)		A6	RFKSCA1060EB	INSTRUCTION MANUAL ASS'Y	(EB)
P3	RPNO815	CUSHION (DECK)		A6	RQT2554-2E	INSTRUCTION MANUAL	(EG)
P3	RPNO816	CUSHION (TUNER/CD)		A7	RQA0013	WARRANTY CARD	
P4	RPQ0458	SPACER		A8	RQCB0169	SERVICENTER LIST	
P5	SPP740	PROTECTION BAG (UNIT)		A9	RSAD0007	FM INDOOR ANTENNA	
P6	RPQF0047	ACCESSORIES BOX		A10	RSAD0012	AM LOOP ANTENNA	
P7	XZB25X34C03Y	3PROTECTION BAG (F. B., ACC.)		A10-1	RMN0244	ANTENNA HOLDER	
		ACCESSORIES		A10-2	XTN3+12AFZ	SCREW	
				A11	SJP9009	ATTACHMENT PLUG	(EB) Δ
				A12	RJL1P005B99	SURROUND SPEAKER CABLE	

PACKAGING

- ST-CA1080: Stereo Tuner
- SL-CA1060: Compact Disc Player
- RS-CA1060: Cassette Deck

- SE-CA1080: Stereo Amplifier



762